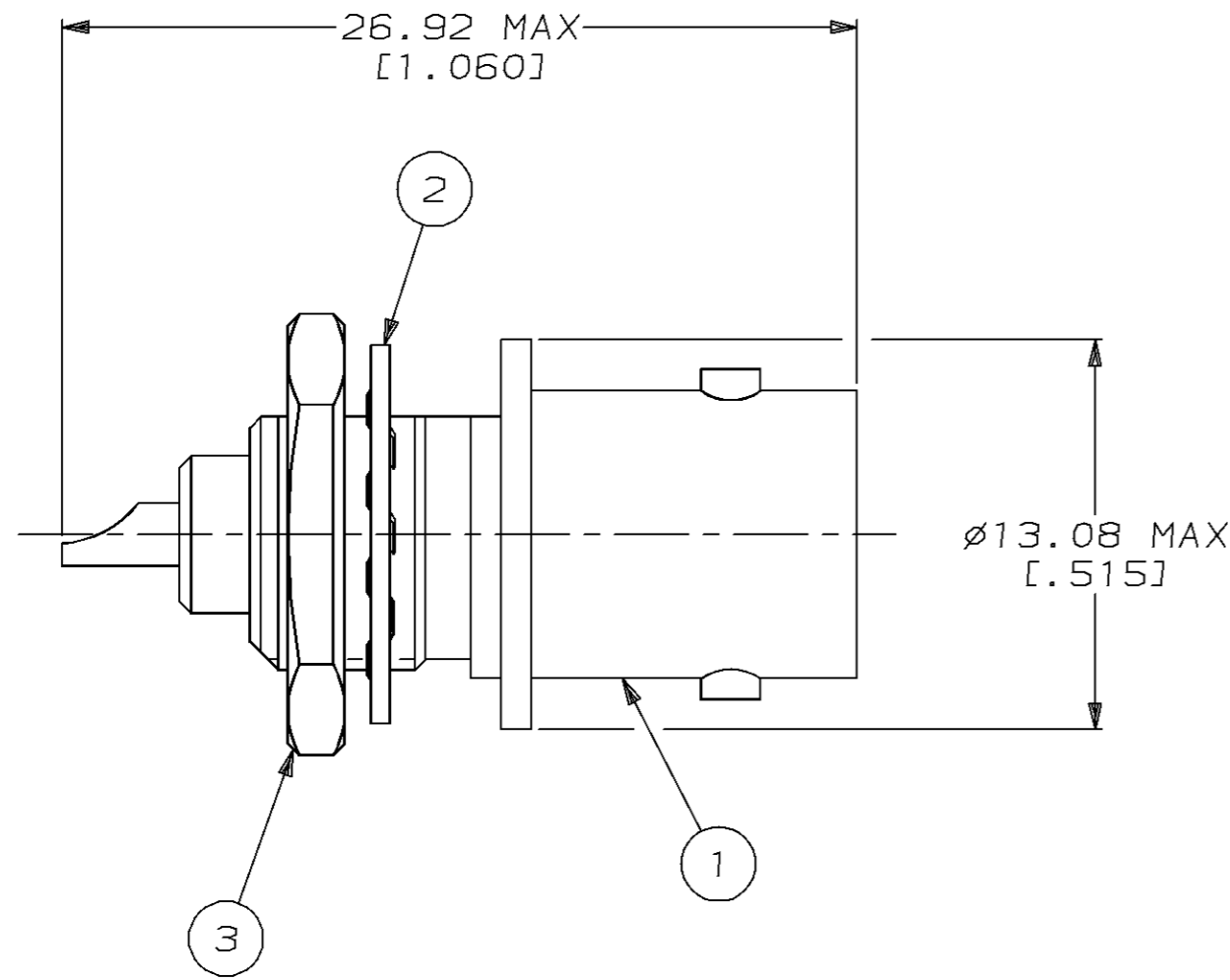
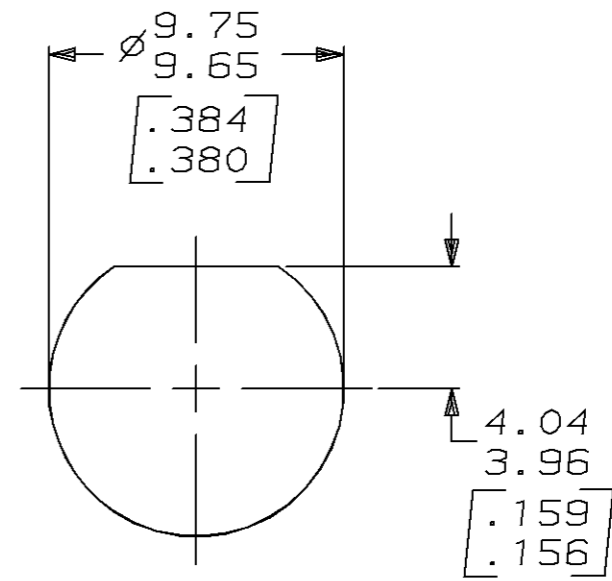


THIS DRAWING IS UNPUBLISHED. RELEASED FOR PUBLICATION, 19 .
 © COPYRIGHT 19 BY AMP INCORPORATED. ALL INTERNATIONAL RIGHTS RESERVED.

LOC	DIST	P	F	ZONE	LTR	REVISIONS	DATE	APPD
AJ	16				E	REDWN PER 0220-0412-94	6-3-94	JL



1. .125 MAX PANEL THICKNESS.



RECOMMENDED PANEL CUTOUT

	1-330249-1	1-329492-1	227717-3	227715-3
SUPERSEDED BY 227715-3	1-330249-1	1-329492-1	227717-2	227715-2
SUPERSEDED BY 227715-3	1-330249-1	1-329492-1	227717-1	227715-1
③ JAM NUT QTY=1	② LOCKWASHER QTY=1	① JACK ASSY QTY=1	PART NUMBER	

DO NOT SCALE PRINT. UNLESS SPECIFIED DIMENSIONS IN mm [INCHES]		PART NO	
MATERIAL	-	AMP AMP Incorporated Harrisburg, PA 17105-3608	
FINISH	-	NAME SOLDER JACK, 50Ω, SERIES BNC	
DR 6-3-94 J. LIPPERT	CHK 6-3-94 M. TOMCHAK	SIZE B	CAGE CODE 00779
APPD 6-3-94 M. TOMCHAK	APPD 6-3-94 J. LIPPERT	SCALE 4:1	DRAWING NO 227715
PRODUCT SPEC 108-12079	APPLICATION SPEC -	SHEET 1 OF 1	
WEIGHT -			